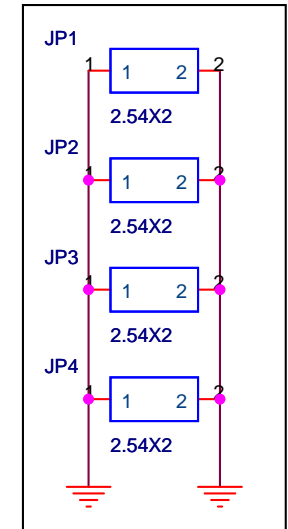
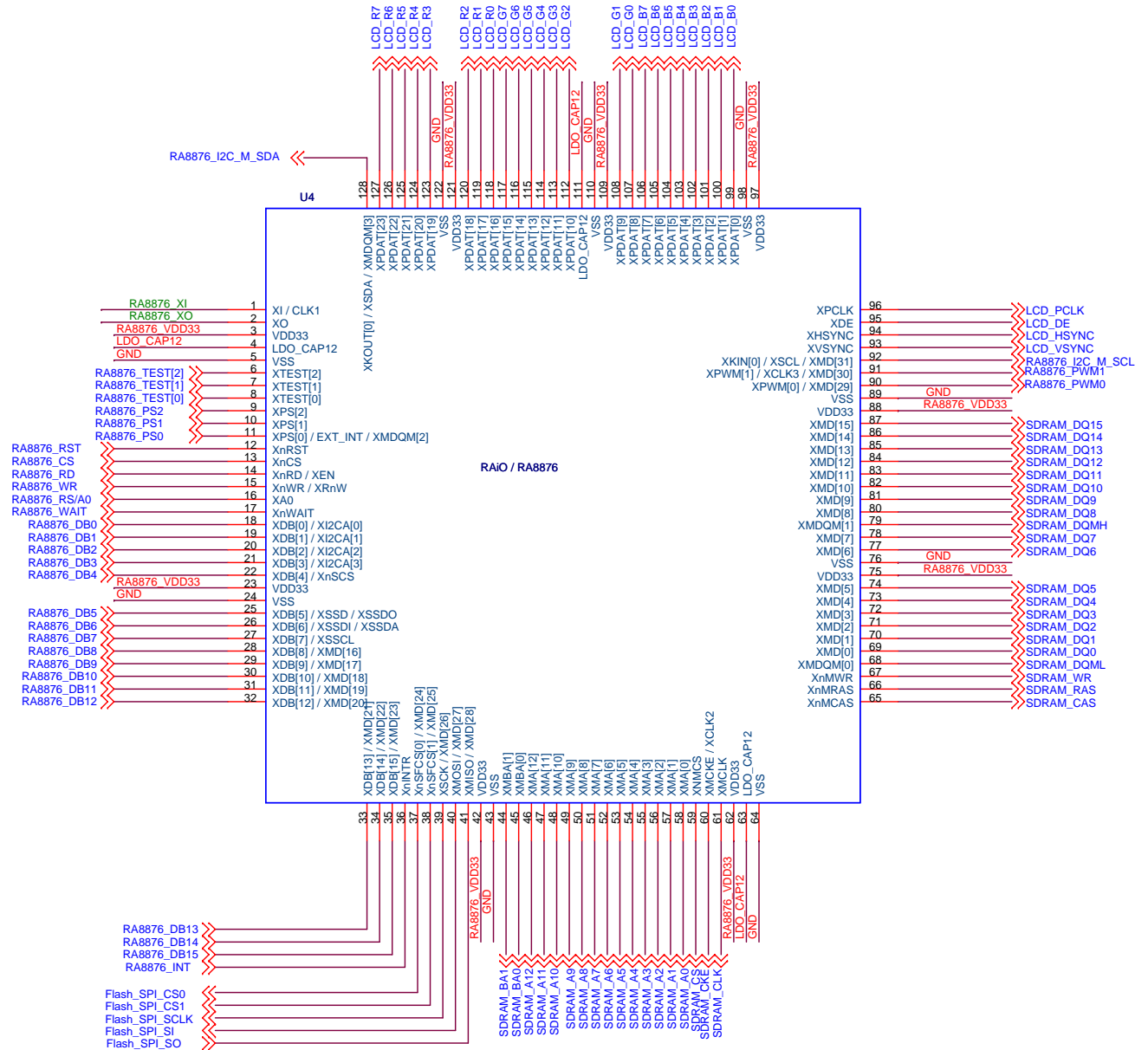
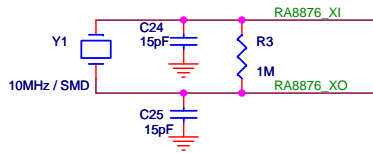
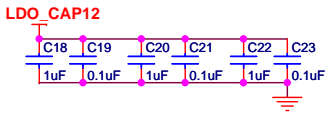
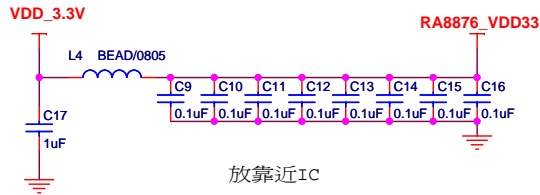


分布板子四邊

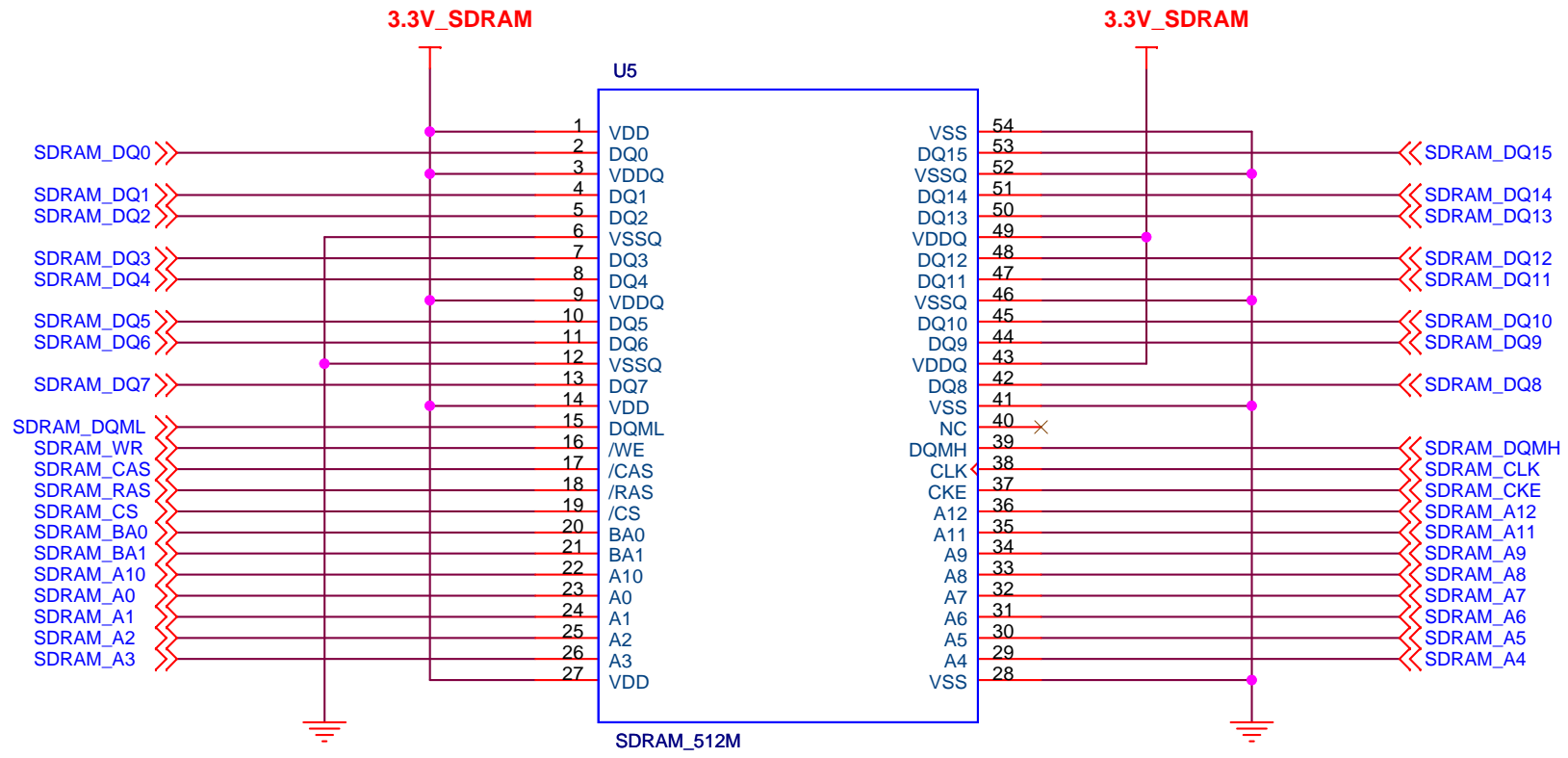
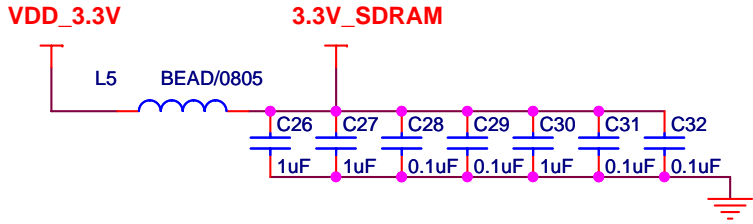


RA8876_B_Demo Board

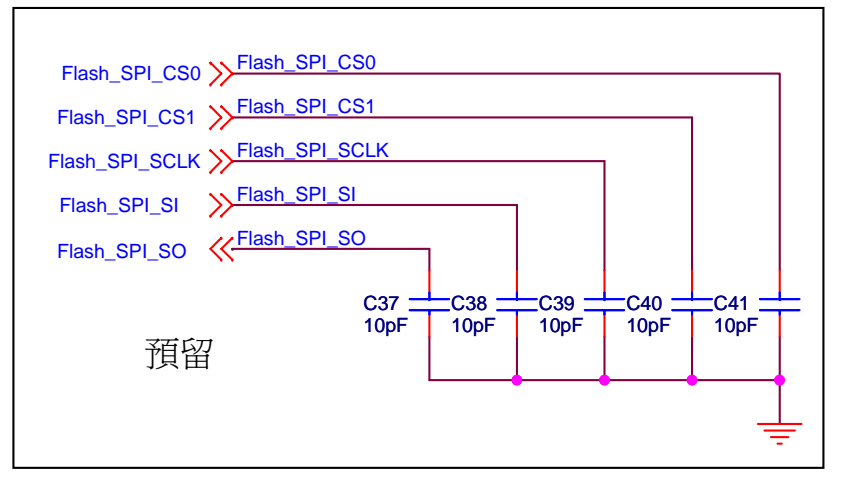
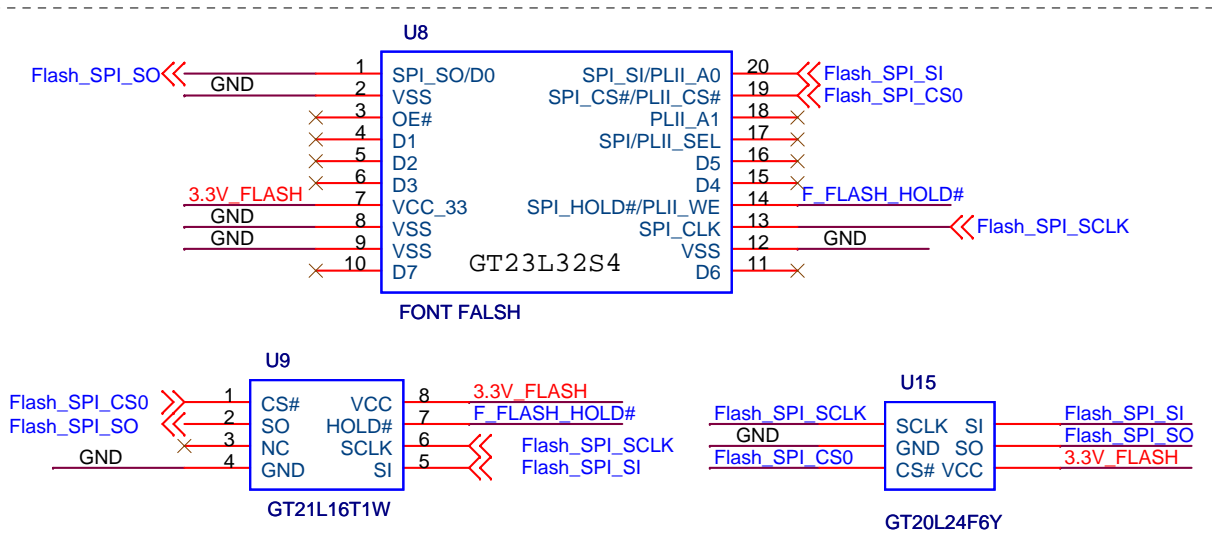
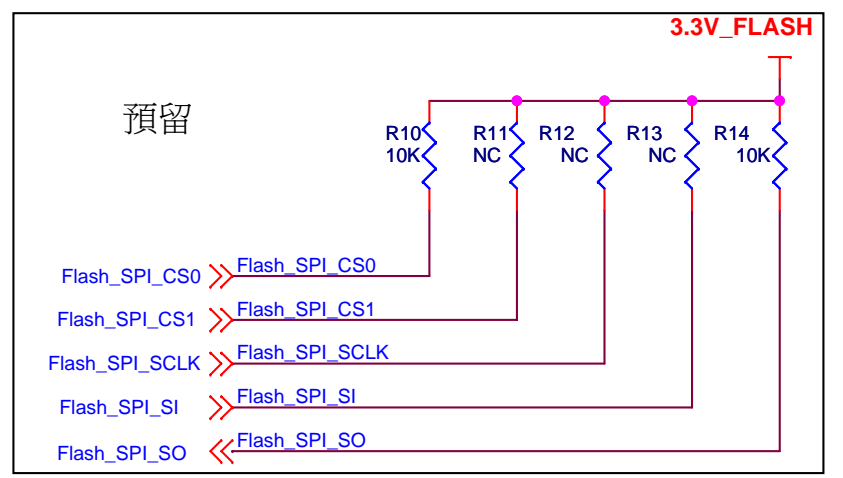
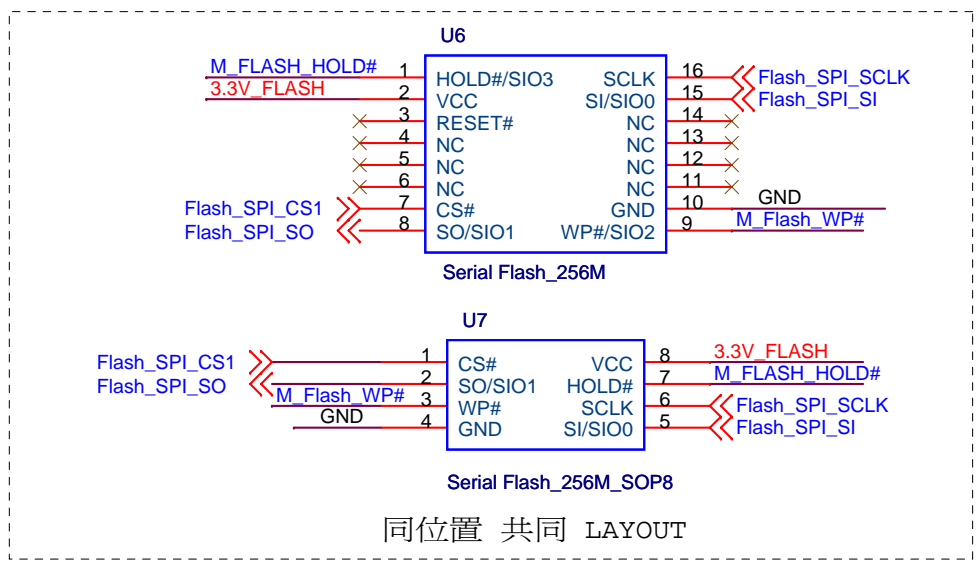
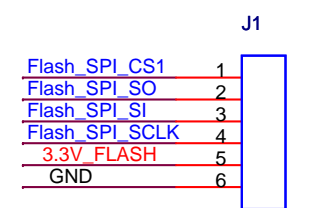
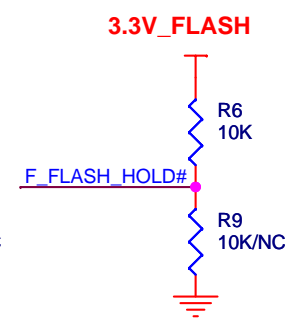
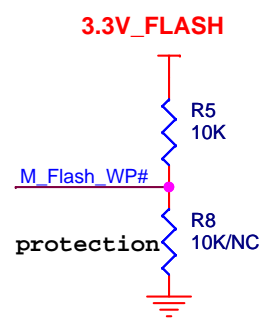
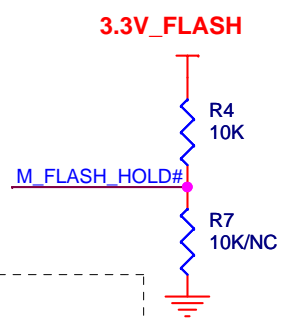
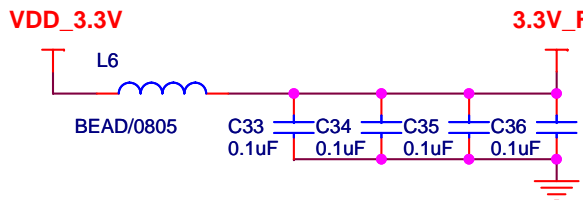
Size A	Document Number 01_RA8876_VCC	Rev A
Date: Thursday, August 29, 2013	Sheet 1 of 10	



RA8876_B_Demo Board		
Size B	Document Number	Rev A
	02_RA8876_Chip	
Date:	Thursday, August 29, 2013	Sheet 2 of 10

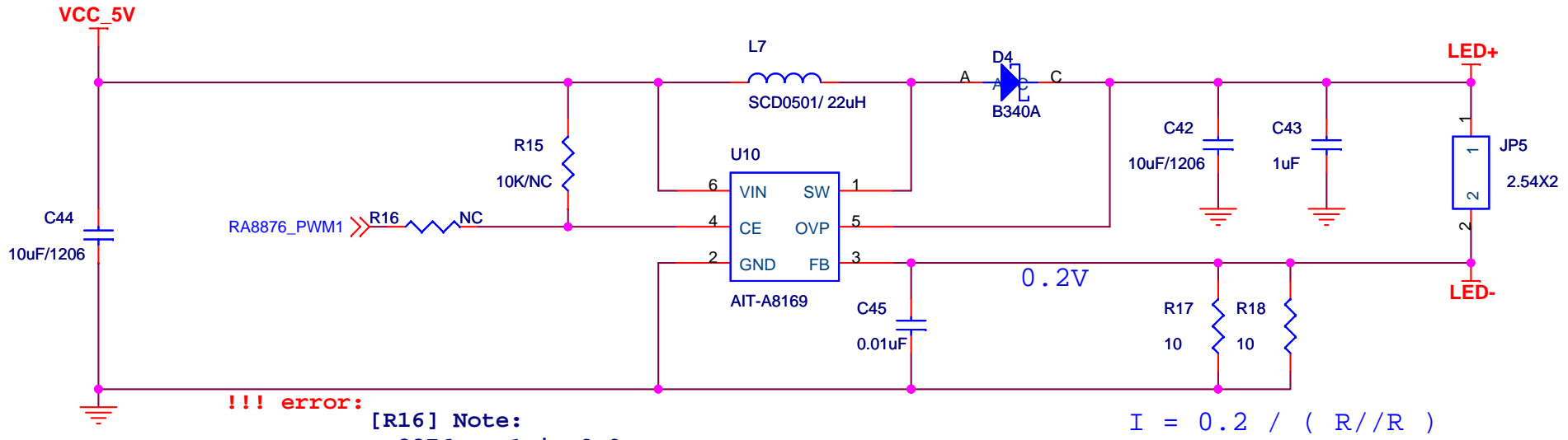


RA8876_B_Demo Board		
Size A	Document Number 03_RA8876_SDRAM	Rev A
Date: Thursday, August 29, 2013	Sheet 3 of 10	



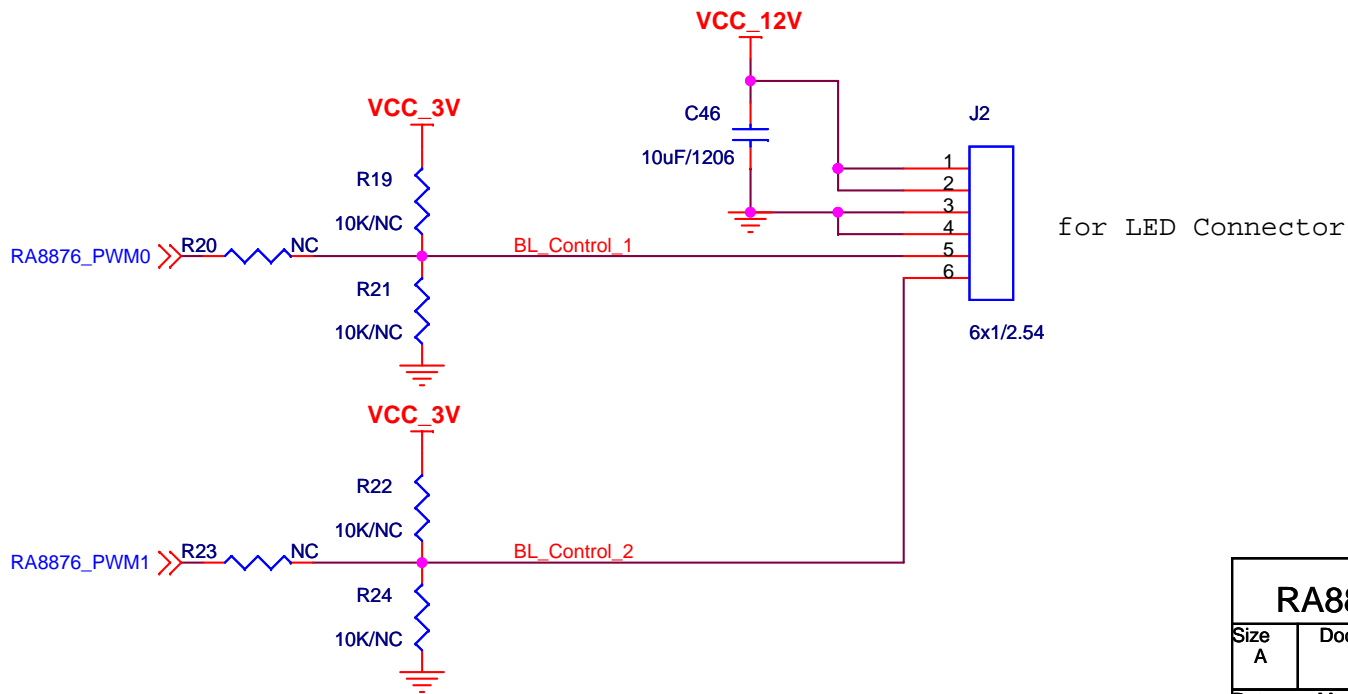
RA8876_B_Demo Board		
Size A	Document Number 04_RA8876_Flash	Rev A
Date:	Monday, September 02, 2013	Sheet 4 of 10

(MAX. 6.0V)



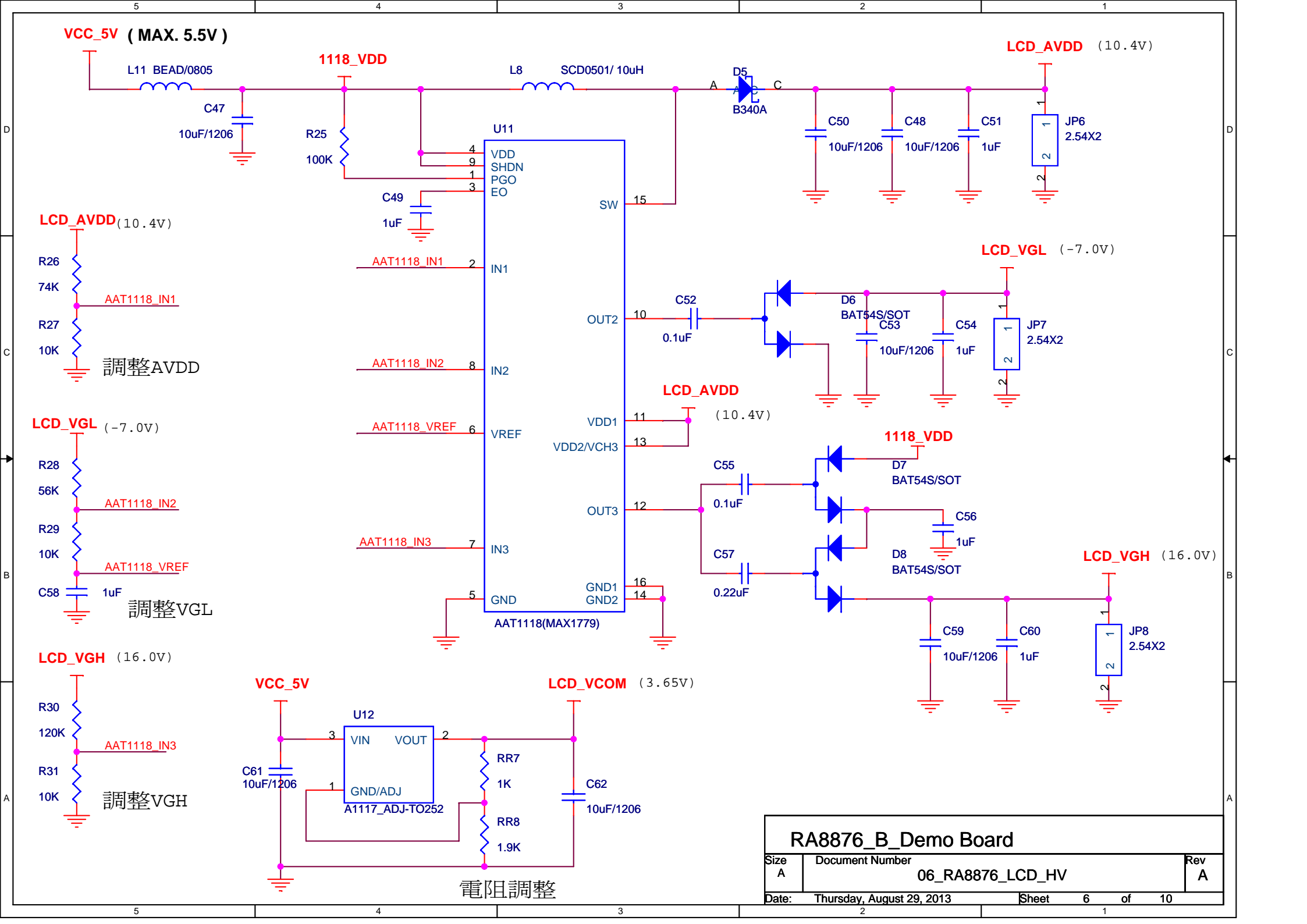
!!! error:
[R16] Note:
RA8876_PWM1 is 3.3V system,
U10_CE is 5V system.
Please be careful with it.

$$I = 0.2 / (R // R)$$

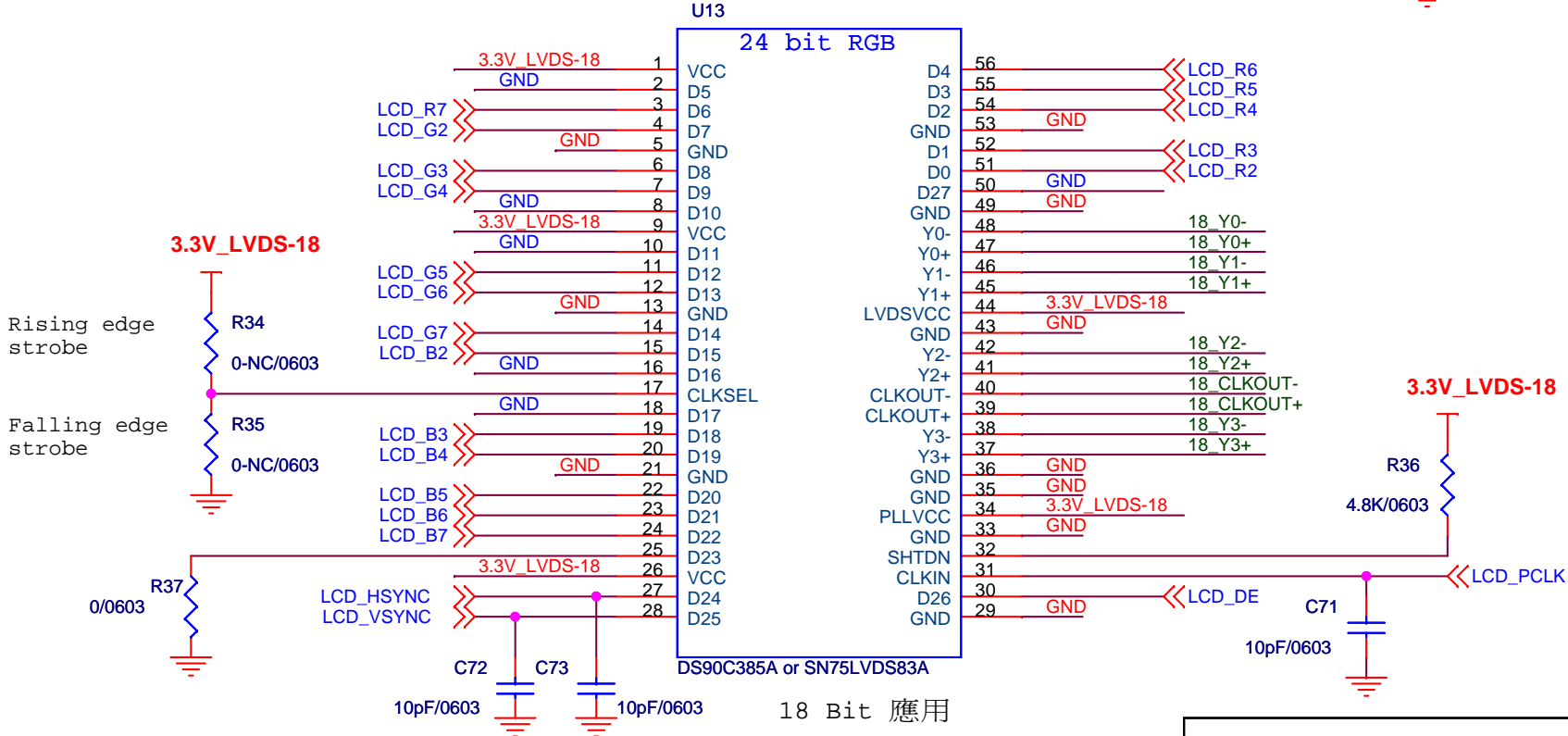
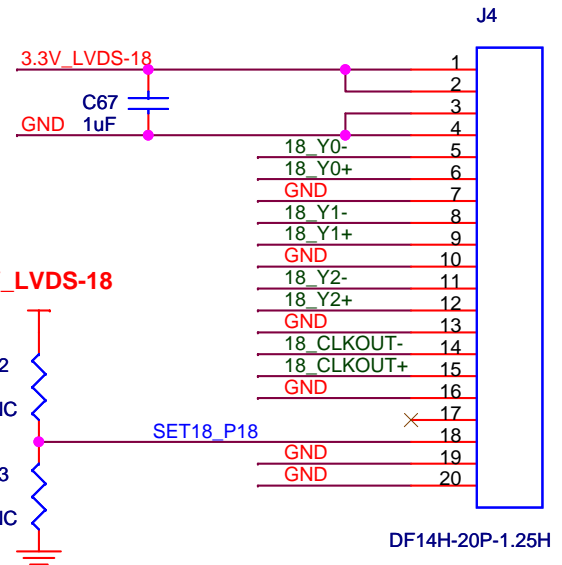
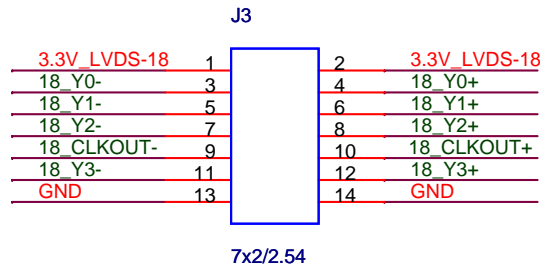
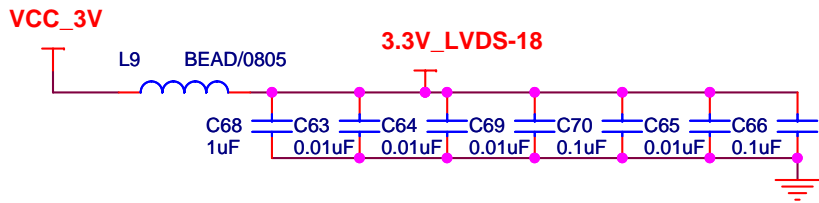


RA8876_B_Demo Board

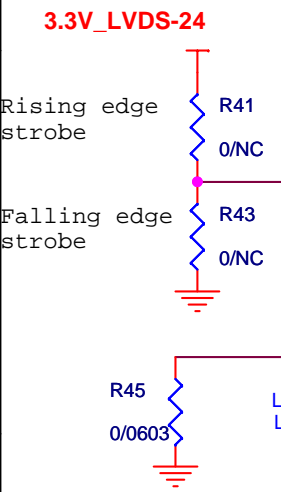
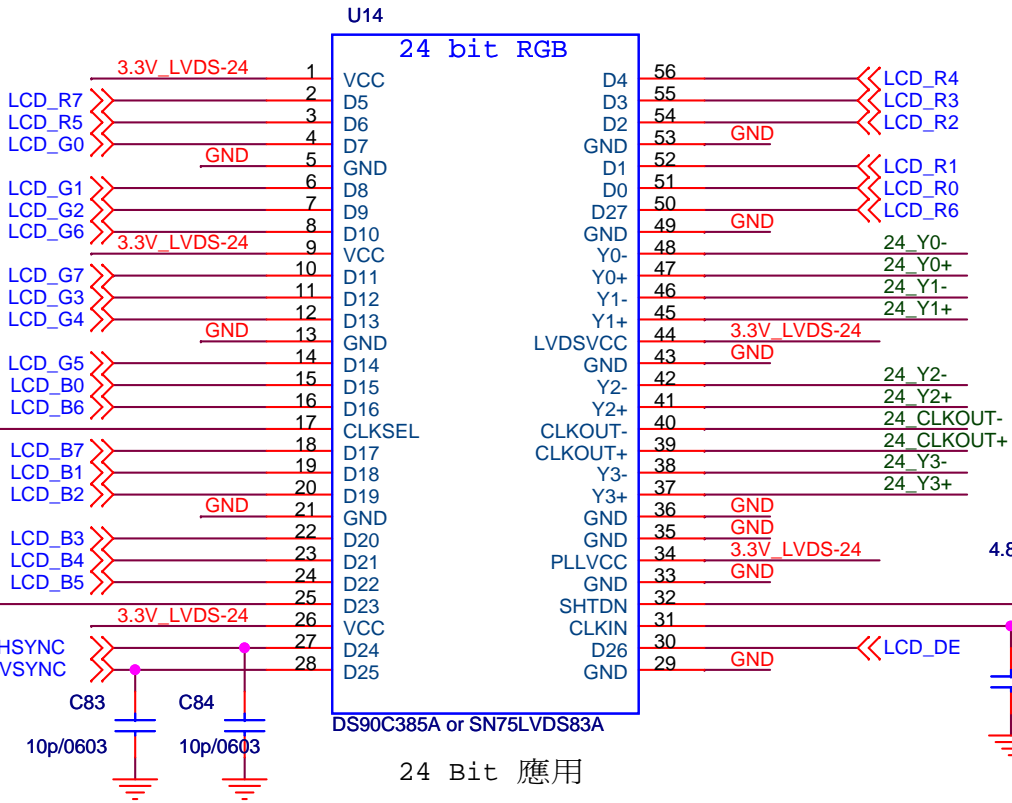
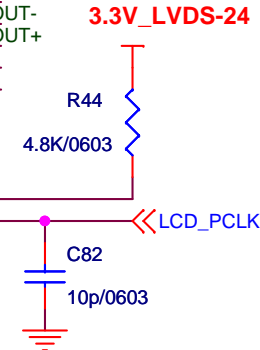
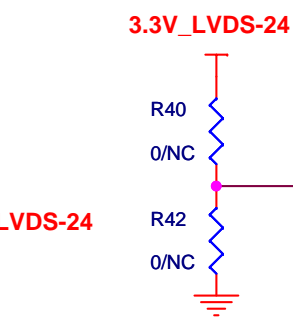
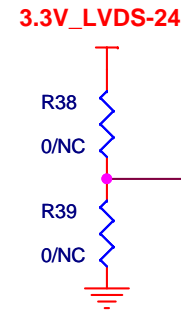
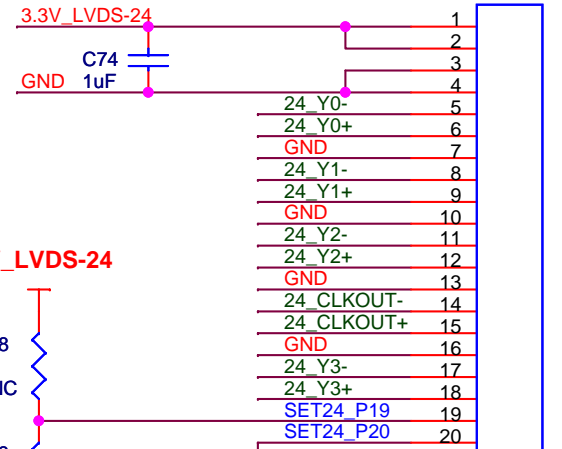
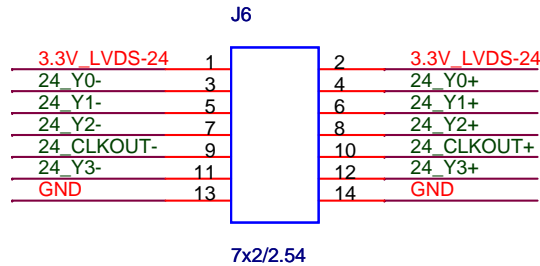
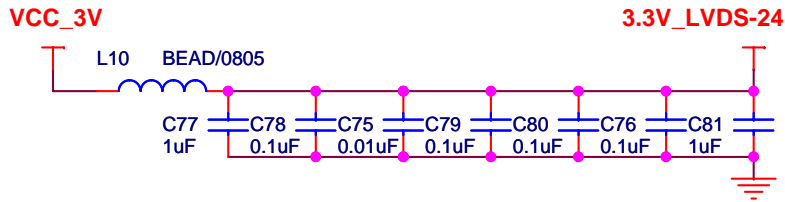
Size A	Document Number 05_RA8876_LCD_BL	Rev A
Date: Monday, January 12, 2015	Sheet 5 of 10	



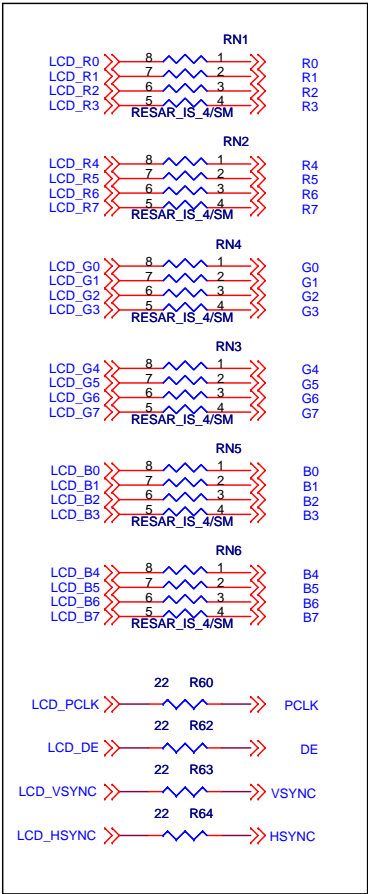
RA8876_B_Demo Board		
Size A	Document Number 06_RA8876_LCD_HV	Rev A
Date:	Thursday, August 29, 2013	Sheet 6 of 10



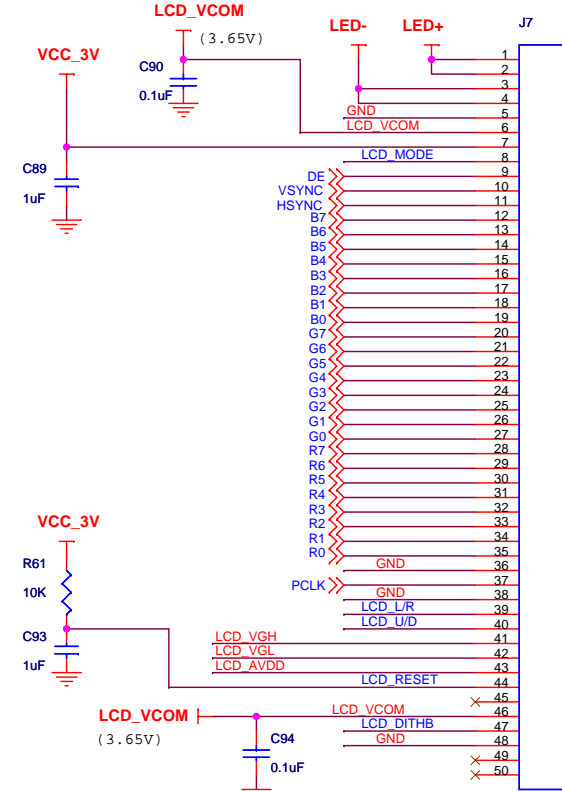
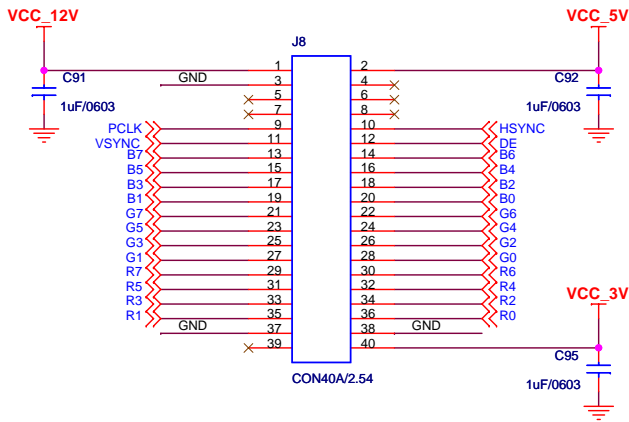
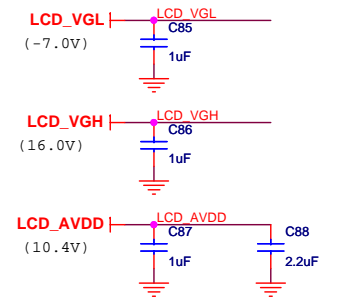
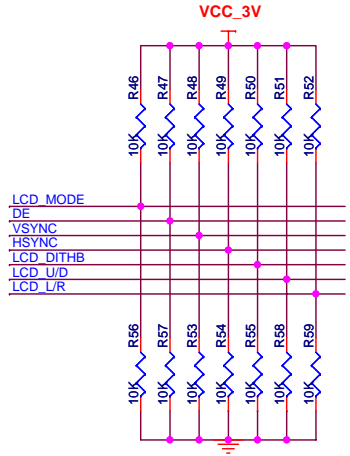
RA8876_B_Demo Board		
Size A	Document Number 07_RA8876_LVDS_6b	Rev A
Date:	Thursday, August 29, 2013	Sheet 7 of 10



DF14H-20P-1.25H

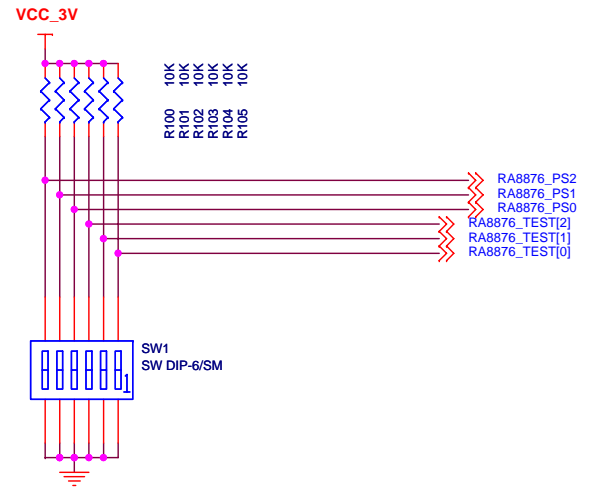
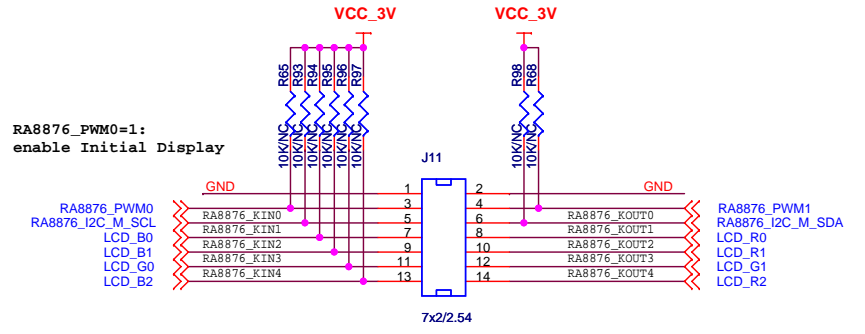
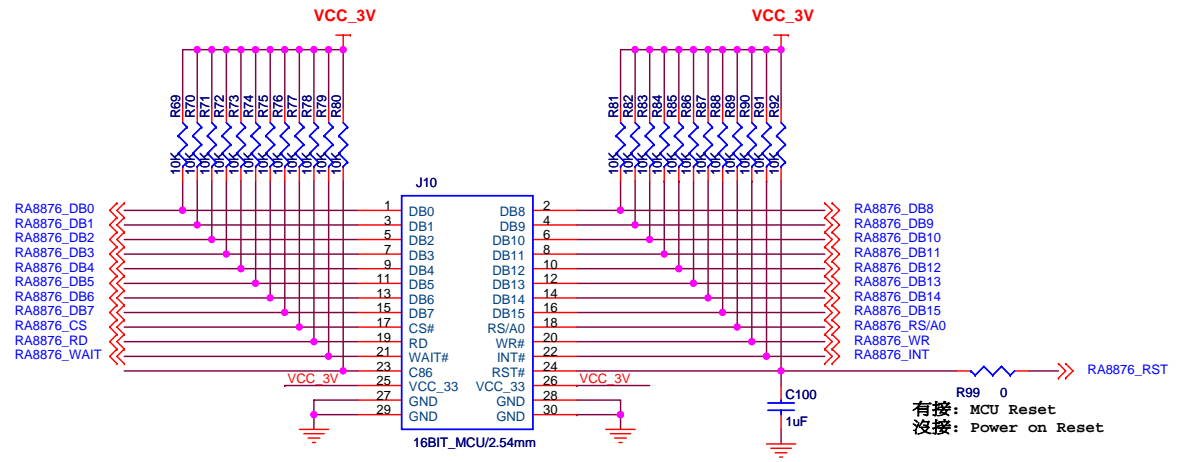
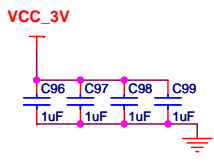


[AT070TN92]
 DE mode : SYNC mode :
 mode=1 mode=0
 Vsync=1 DE=0
 Hsync=1



上接式 FPC: 0.5mm(0.35mm+0.15mm)
 LCD: 群創_AT080TN52
 LED 10V

RA8876_B_Demo Board		
Size B	Document Number 09_RA8876_LCD_I/F	Rev A
Date: Thursday, August 29, 2013	Sheet 9	of 10



[P.6/5/4]
 00x : 8080
 01x : 6800
 100 : 3-wire
 101 : 4-wire
 11x : I2C

RA8876_B_Demo Board		
Size B	Document Number 10_RA8876_MCU_I/F	Rev A
Date: Thursday, August 29, 2013	Sheet 10 of 10	